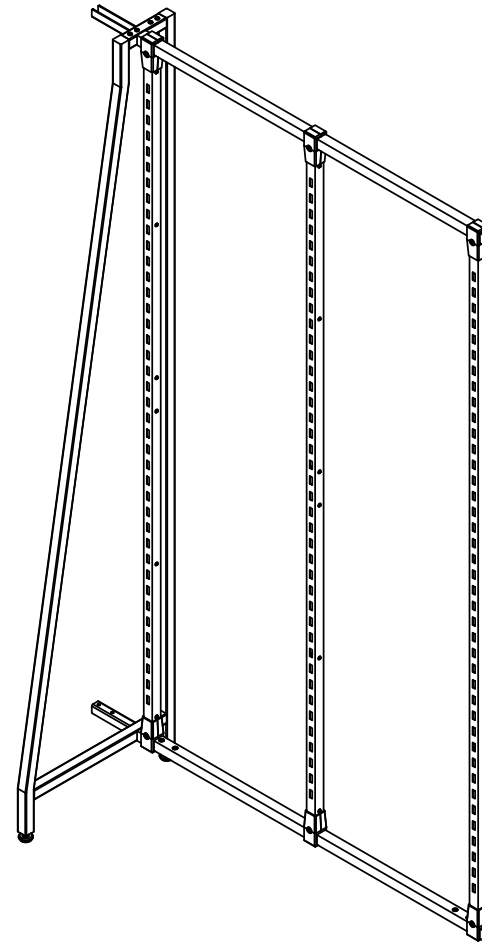


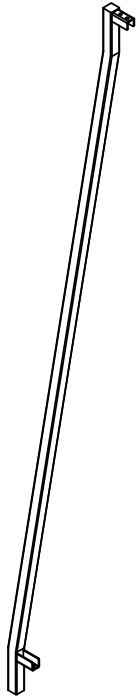
**BURNSIDE**

ASSEMBLY INSTRUCTIONS

W-FRAME - ADDON :: 292/299 - WF- ADD



PART LIST:



1X. SIDE FRAME UPRIGHT - A



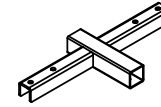
1X. SIDE FRAME UPRIGHT - B



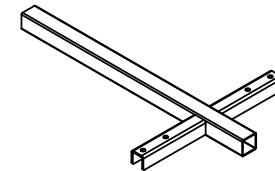
1X. CENTER UPRIGHT



2X. SIDE UPRIGHT



1X. SIDE FRAME - TOP RAIL



1X. SIDE FRAME - BOTTOM RAIL



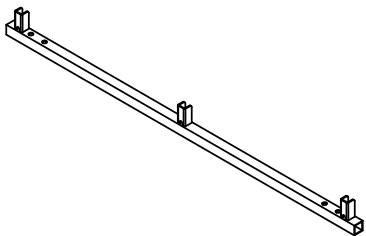
8X. SBHC SCREW  
1/4"-20 X 0.625"



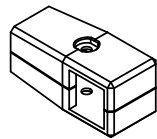
8X. SCHC SCREW  
1/4"-20 X 0.625"



24X. SBHC SCREW  
#10-24 X 0.375"



2X. CENTER FRAME CROSS RAIL



6X. SET CONNECTOR



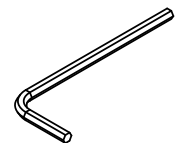
6X. JOINT CONNECTOR BOLT  
1/4"-20 X 1.625"



6X. HEX NUT  
1/4"-20 UNC

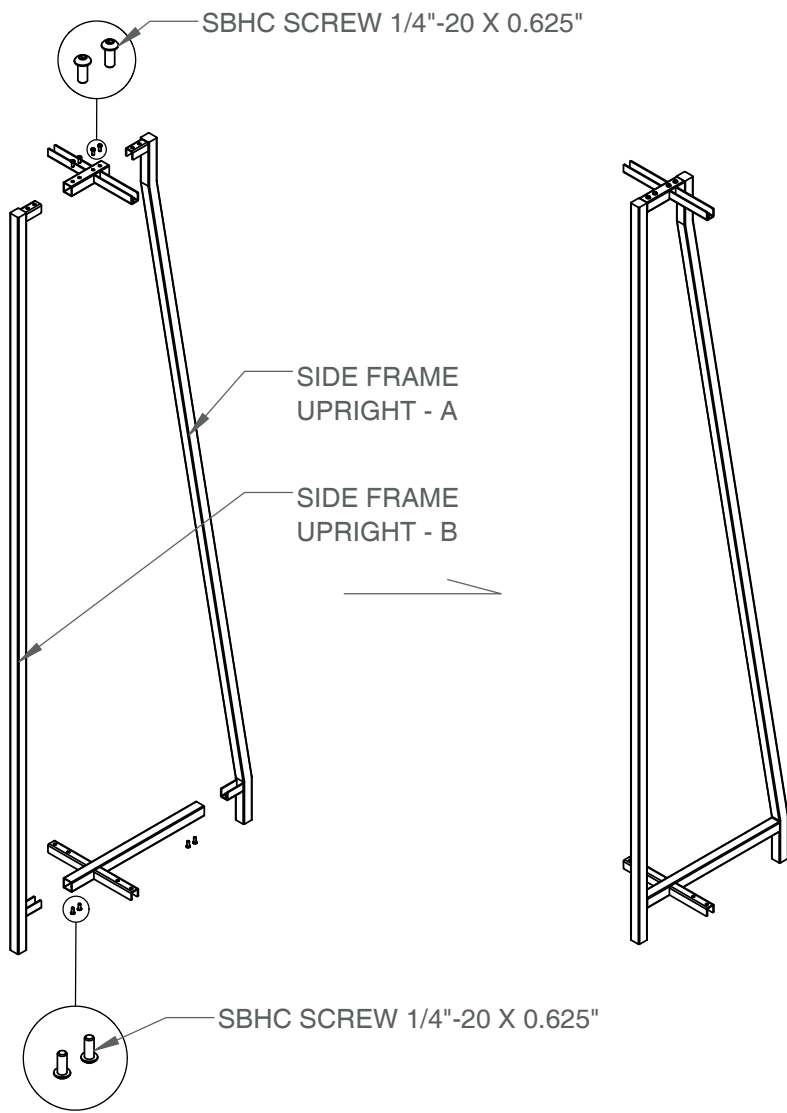


2X. 3/8"-16 LEVELER

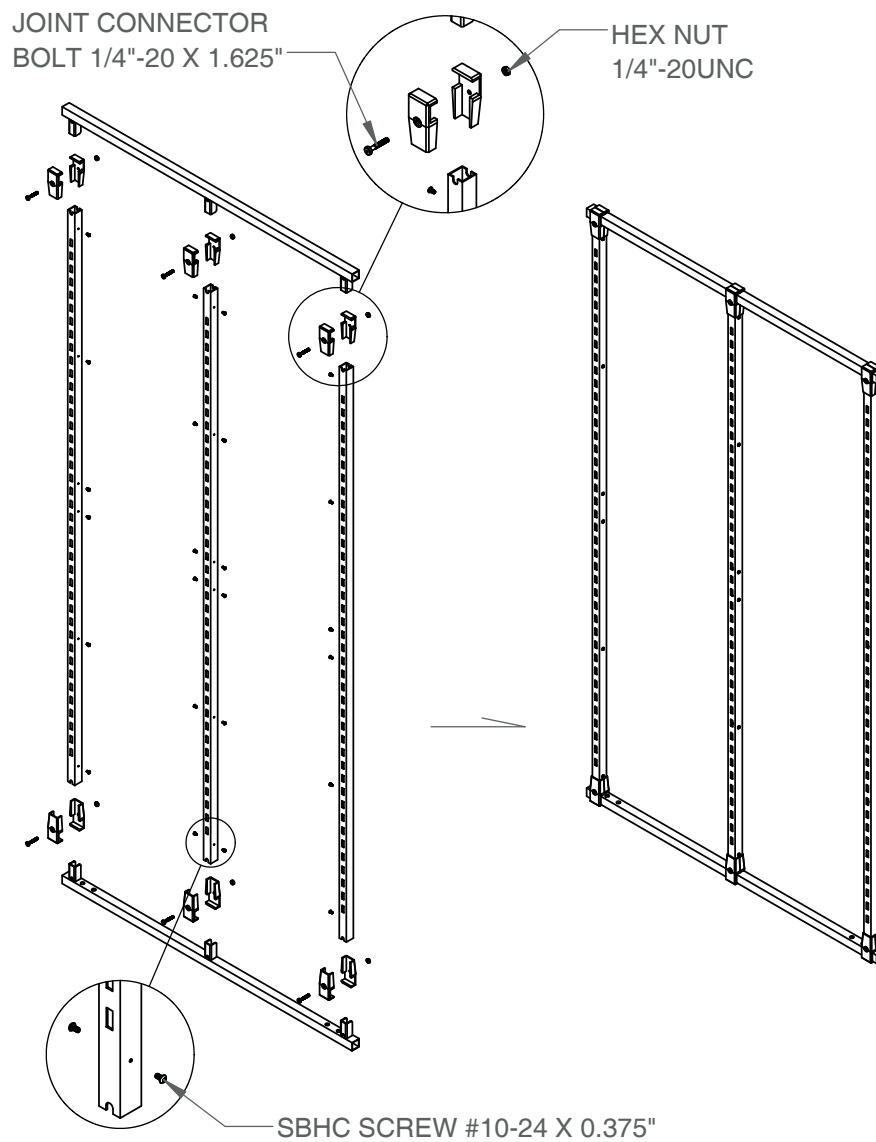


1X. L-KEY FOR 1/4"  
1X. L-KEY FOR #10

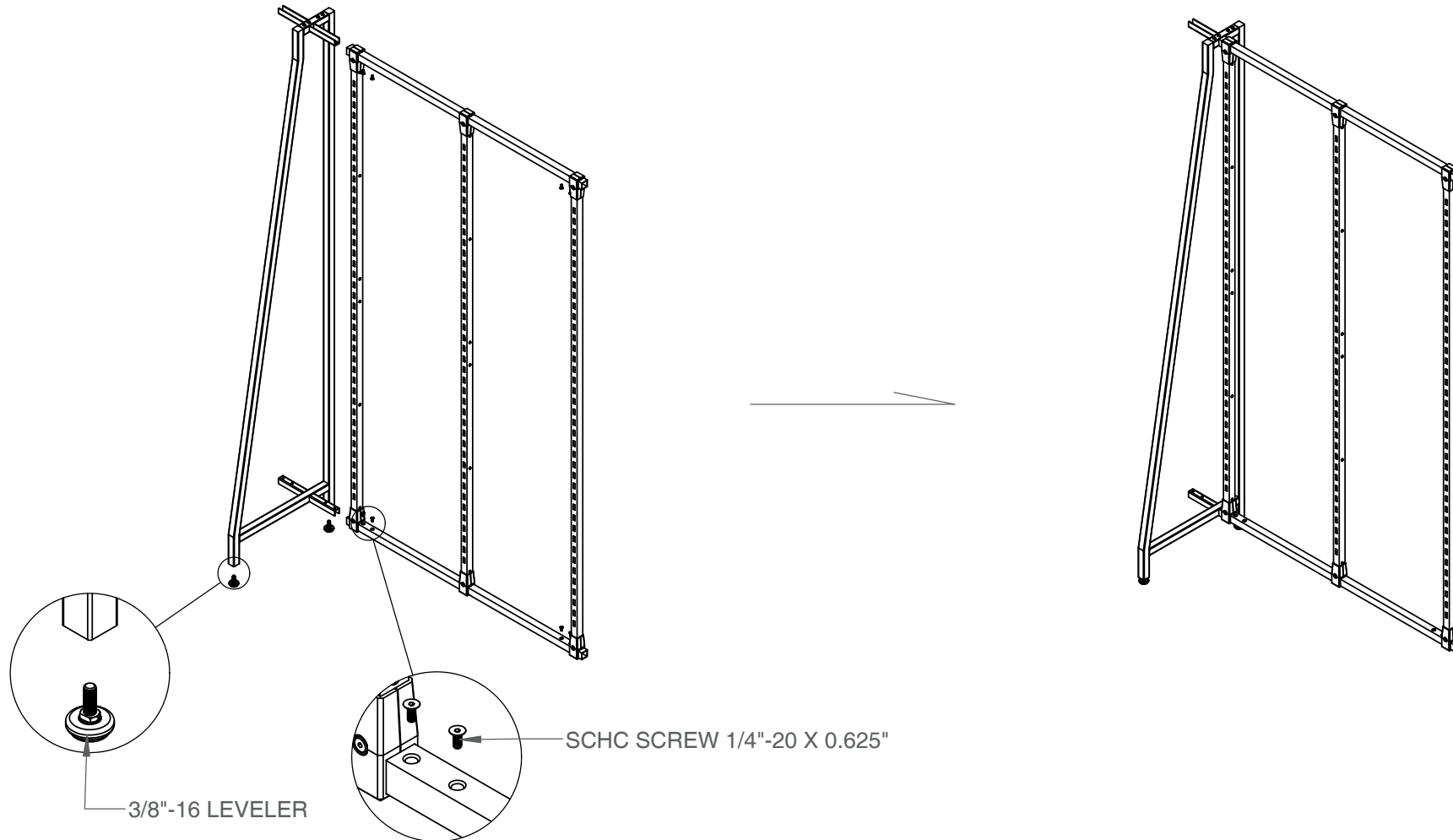
### STEP 1: ASSEMBLE SIDE FRAME.



### STEP 2: ASSEMBLE CENTER FRAME.

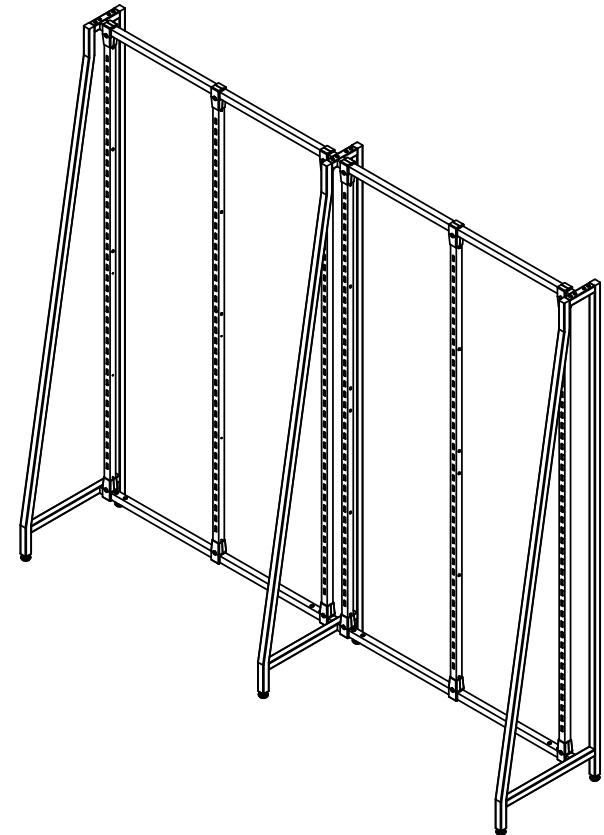
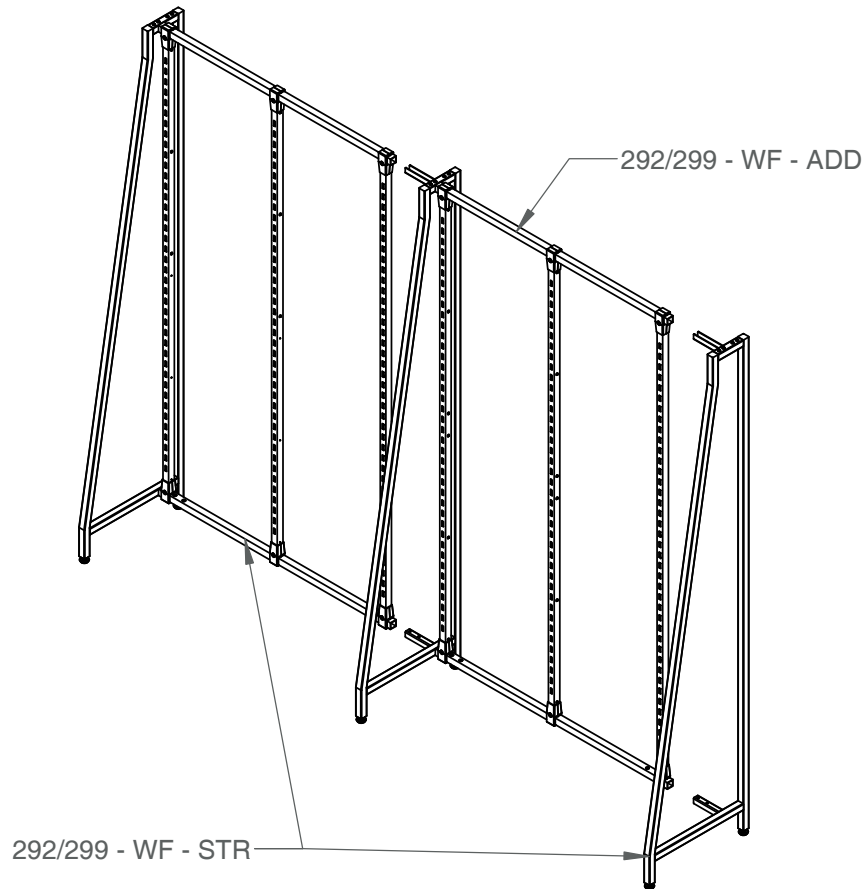


STEP 3:  
COMPLETED FIXTURE



### STEP 4:

ASSEMBLE WITH 292/299 - WF - STR.



## STEP 1: ATTACH THE BRACKETS

---

Using an Allen wrench, securely screw in each of the four brackets to the inside of the fixture frame. Leave slightly loose for extra wiggle room (these can be tightened later).

## STEP 2: REMOVE HEAD

---

Remove the head/thumb screw from each bracket. This will allow you to mount the back panel.

## STEP 3: ALIGN THE HOLES

---

Align the corresponding holes on the back panel with each of the mounting brackets on the fixture. Take care to properly line them up.

## STEP 4: SECURE THE BACK PANEL

---

Place a silicon washer on each side of the back panel, and then use the head/thumb screw to fasten the back panel in place. Ensure the back panel is securely attached.

