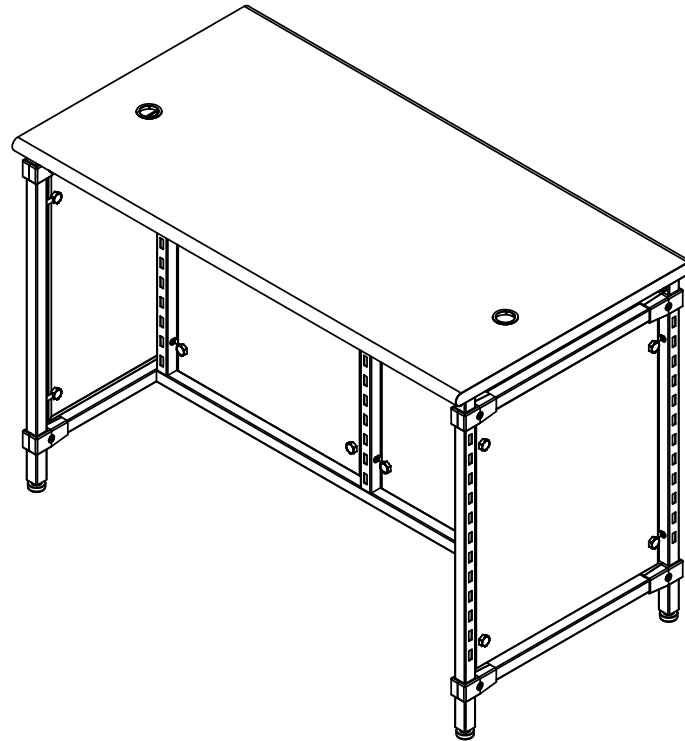


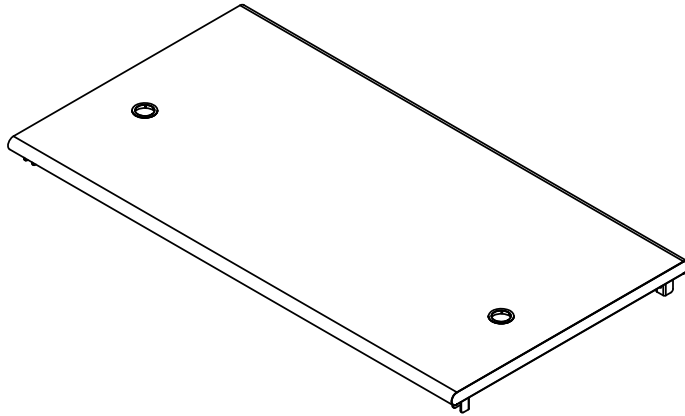
**BURNSIDE**

ASSEMBLY INSTRUCTIONS

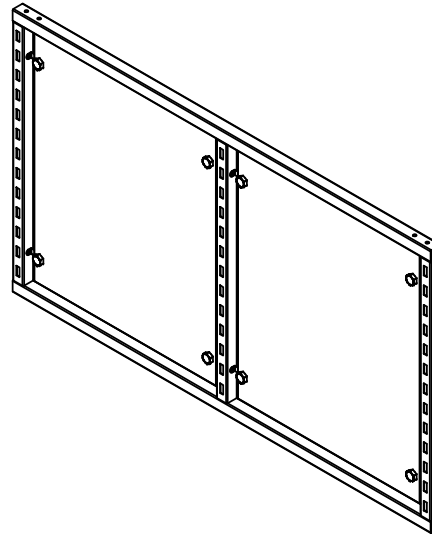
CASHWRAP :: 292/299 - CW



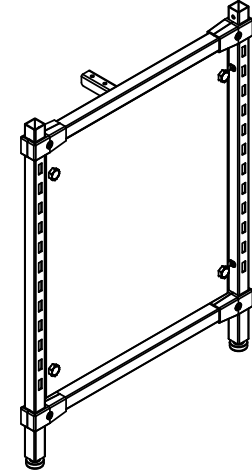
PART LIST:



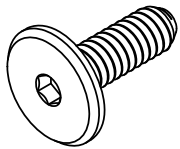
1X. COUNTERTOP



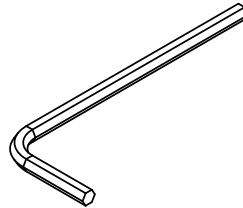
1X. CENTER FRAME



2X. SIDE FRAME

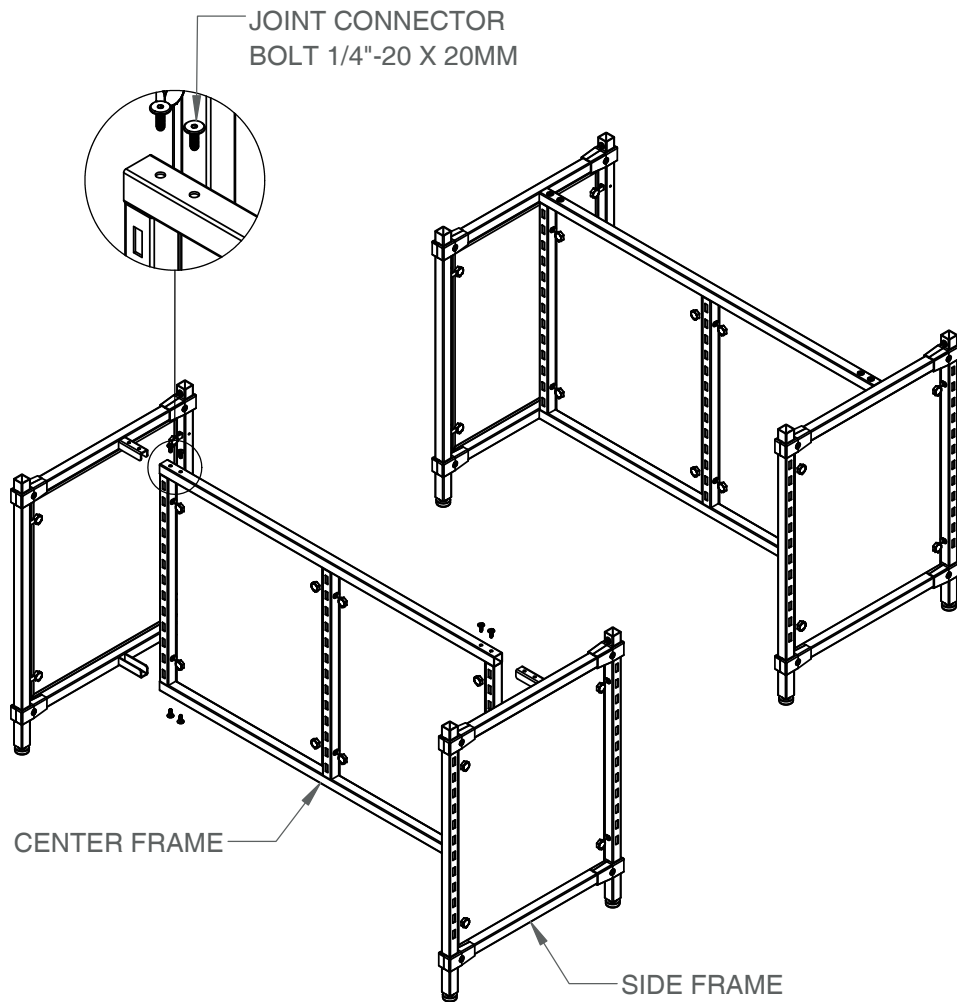


12X. JOINT CONNECTOR  
BOLT 1/4"-20 X 20MM

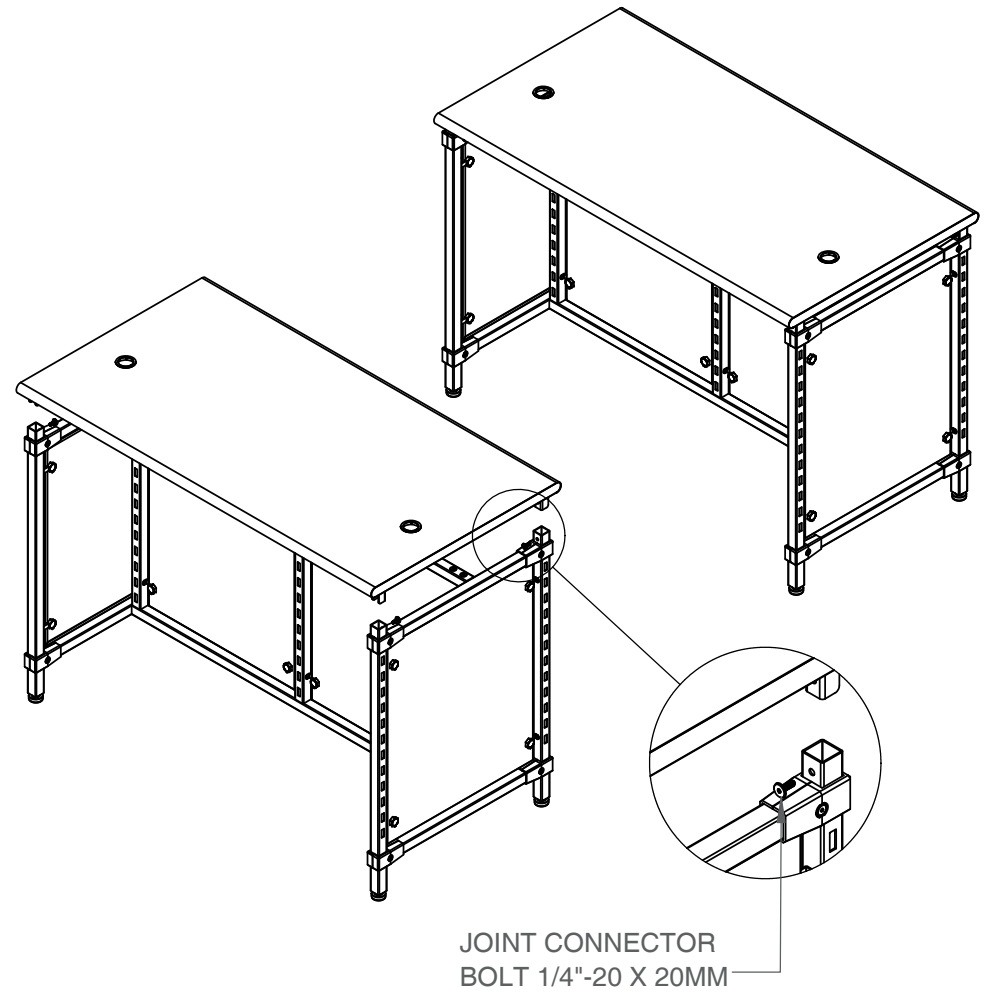


1X. L-KEY FOR 1/4"

## STEP 1:



## STEP 2:



## STEP 1: ATTACH THE BRACKETS

---

Using an Allen wrench, securely screw in each of the four brackets to the inside of the fixture frame. Leave slightly loose for extra wiggle room (these can be tightened later).

## STEP 2: REMOVE HEAD

---

Remove the head/thumb screw from each bracket. This will allow you to mount the back panel.

## STEP 3: ALIGN THE HOLES

---

Align the corresponding holes on the back panel with each of the mounting brackets on the fixture. Take care to properly line them up.

## STEP 4: SECURE THE BACK PANEL

---

Place a silicon washer on each side of the back panel, and then use the head/thumb screw to fasten the back panel in place. Ensure the back panel is securely attached.

